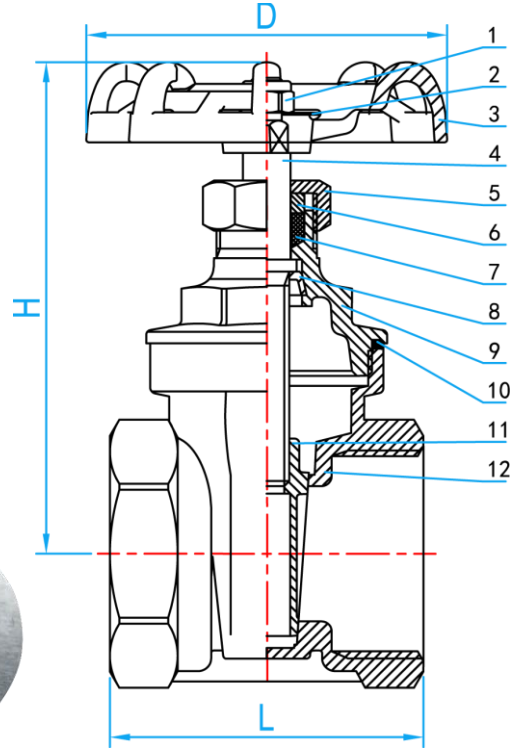


BRASS CR BSP GATE VALVE [FXF]

COMPLY WITH BS5154:1991
 BS EN 12288:2010
 AS/NZS4020:2018
 BS EN ISO 6509-1:2014
 BS12165:2016



2. Name Plate

CROSS SECTIONAL VIEW

STANDARD SPECIFICATIONS

Working Pressure	200 Psi
Applicable Medium	Water

DIMENSIONS

SKU	SIZE (mm)	L (mm)	H (mm)	D (mm)	Switch Turns	WEIGHT (kg)	PCS/CTN
GVCRN015	15	48	75	53	4	0.266	80
GVCRN020	20	54	80	53	5	0.343	48
GVCRN025	25	60	89	59	6	0.491	36
GVCRN035	35	71	110	72	5	0.831	18
GVCRN042	42	74	119	72	6	1.060	18
GVCRN050	50	84	143	85	8	1.585	12
GVCRN065	65	105	182	95	10	2.920	6
GVCRN080	80	112	210	108	12	4.040	6
GVCRN100	100	133	270	140	16	7.465	3

COMPONENT PARTS

ITEMS	PARTS	MATERIAL
1	Wheel Nut	AISI304
2	Name Plate	Aluminum Plate
3	Hand Wheel	HT150
4	Stem	DZR Brass
5	Lock Nut	Brass Rod
6	Gland	Brass
7	Gland Packing	Teflon
8	Straining Ring	Brass
9	Bonnet	DZR Brass
10	Washer	Teflon
11	Disc	DZR Brass
12	Body	DZR Brass